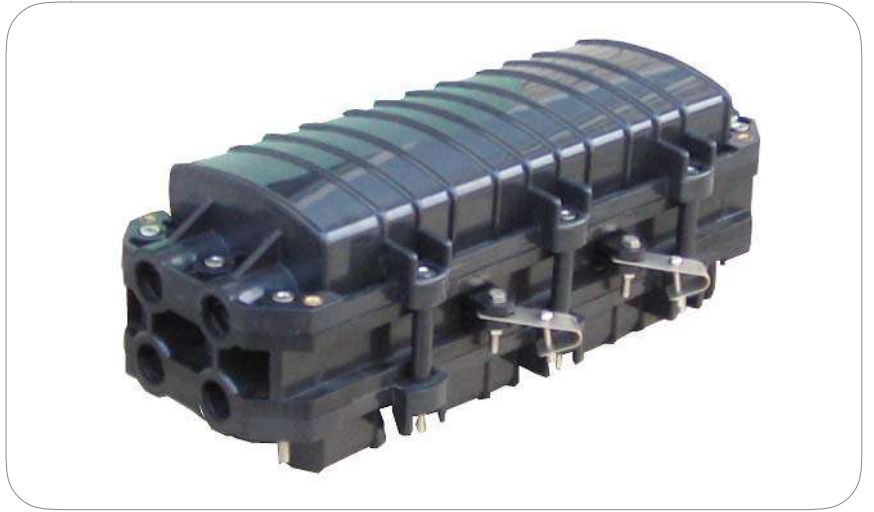
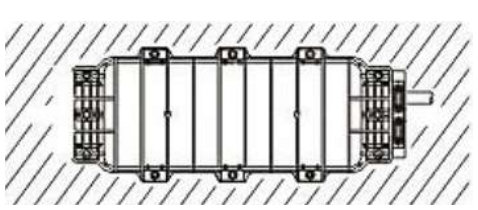

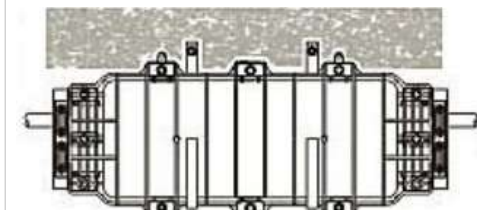


### FIBER OPTIC ENCLOSURE MODEL IMN

It applies to any sort of cables (loose tube, skeleton, ribbon) and is available for usage of various connections (distribute bridging, divergence) in multiple environments (aerial, bracket, pipe-lined, hand hole, manhole).



	IMN I	IMN II Expandable
<b>Dimensions (mm)</b>	435*190120	435*190170
<b>Fiber Quantity</b>	96 ~ 192	144 ~ 288 (with middle section)
<b>Cable entries (mm)</b>	4 * max. $\Phi$ 22	8 * max. $\Phi$ 22
<b>Material</b>	ABS	
<b>Type of seal</b>	Mechanical	
<b>Weight (kg)</b>	4.5 ~ 5.0	
<b>IP Rated</b>	IP68	
<b>Operating Temperature (°C)</b>	-40°C ~ +60°C	

Installation Methods		
Direct Buried	Aerial	Pipe-lined
		

Main Body



Main Body



Middle Section



12 ~ 24 Splice Cassette



### ORDERING INFORMATION

Model	Fiber quantity
IMN I	96
IMN II	120
	144
	168
	192
	216
	240
	264
	288