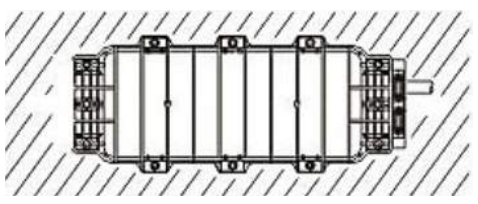

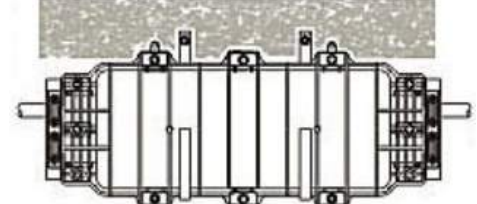


### FIBER OPTIC ENCLOSURE MODEL IMP

It applies to any sort of cables (loose tube, skeleton, ribbon) and is available for usage of various connections (distribute bridging, divergence) in multiple environments (aerial, bracket, pipe-lined, hand hole, manhole).



<b>Material</b>	ABS
<b>Dimensions (mm)</b>	399*189*90
<b>Type of seal</b>	Heat Shrink
<b>Weight (kg)</b>	2.5 ~ 3
<b>Cable entries (mm)</b>	4 * $\Phi$ 12.5 ~ 17
<b>Operating Temperature (°C)</b>	-40°C ~ +60°C

Installation Methods		
Direct Buried	Aerial	Pipe-lined
		

ORDERING INFORMATION	
Model	Fiber quantity
IMP	24
	48

### Drawing

