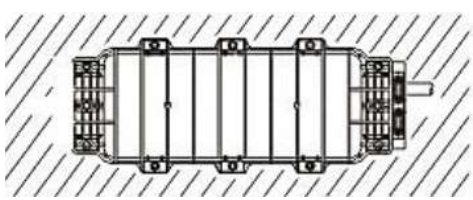

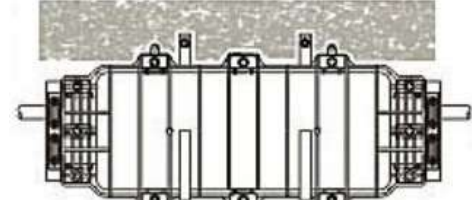


FIBER OPTIC INLINE ENCLOSURE MODEL IMT

It applies to any sort of cables (loose tube, skeleton, ribbon) and is available for usage of various connections (distribute bridging, divergence) in multiple environments (aerial, bracket, pipe-lined, hand hole, manhole).



Protection grade	IP68
Material	Modified polymer plastic
Seal Material	Non-vulcanized self-adhesive rubber
Dimensions (mm)	455*201*120
Type of seal	Mechanical
Weight (kg)	2.5 ~ 3
Cable entries (mm)	6 * Φ 8 ~ 13 2 * Φ 10 ~ 17.5
Lateral pressure-resistance	\geq 2000N / 10cm
Operating Temperature (°C)	-40°C ~ +60°C

Installation Methods		
Direct Buried	Aerial	Pipe-lined
		

ORDERING INFORMATION	
Model	Fiber quantity
IMT	48
	72
	96